

Specification

Model No.	DRC-2AM DRC-4AM DRC-6AM DRC-8AM
Image Device	1/3" CCD Camera
Installation Method	Flush Mount type
Power Sources	DC 24V 120mA
Horizontal Resolution	230TV line
Installation System	4 wires common type - 8 wires (maximum) - Polarity
Communication Ways	Synchronous Communications
Calling System	Code Divided Type
Communication Distance	200m (For 3C2V Coaxial cable)
Scene Illumination	0.1 Lux (300mm from the camera)
Scanning Frequency	Horizontal : 15.75KHz Vertical : 60Hz
Image Angular	Horizontal : 68° Vertical : 55°
Angular Adjust	Left : 13° Right : 13° Up : 4° Down : 4°
Ambient Operating Temperature	-10° C to +40° C
Dimensions (W/H/D)mm	123/320/61 (for DRC-8AM)

External design, features, functions and specifications can be changed without any prior, for promoting the quality of the product.

For More Information, Contact to Web Site
www.commax.co.kr
Printed in Korea

Multi- Door Camera Entry System

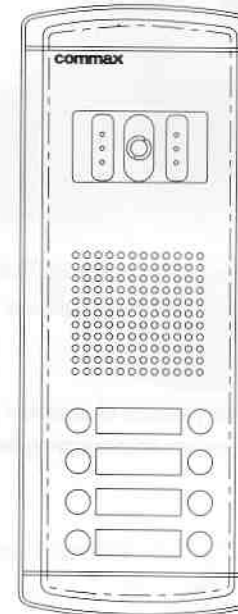
Model No. ; DRC-nAM



COMMAX[®]

Before operating the unit, please read this manual thoroughly and retain it for future reference.

Use and Care Guide



Introduction	2
Important Safeguard	3
General Features	4
Preparation	4
Location And Function Of Controls	5
How To Operation	5
Attaching(Flush) Consideration	6
Note On Use And Installation	6
System Network	7
Specification	8

COMMAX Co.,Ltd.

General Features

There is no where better than entry door home system, to make your house door entry home commax door Camera entry system are here to provide positive entry door camera system and convenience life.

- Aluminium material prevent corrosion-strong construction is achieved by thick aluminium plate
- Easy installation and gracefulness design
 - hinge for downward opening of the front plate and retaining lead
 - contract buttons on the front plate
- Capable of multi- installation for sub-units.
- Designed flush mount on the wall type.
- A few number of components
- Easy Assembly
- Front panel suitable for both audio and video systems

Preparation

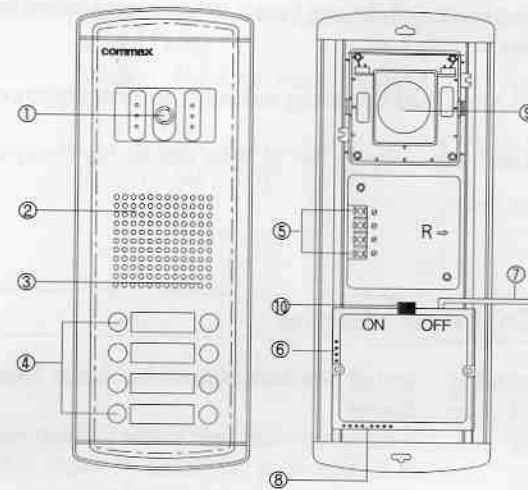
- On Safety**
- For DC operation, operate the unit on 24V DC 220mA
 - Should any solid object or liquid fall into the cabinet, disconnected the unit and have it checked by qualified personnel before operating it any further.
 - Allow adequate air circulation to prevent internal heat build-up.
- On Installation**
- Do not place the unit on surfaces (rugs, blankets,etc) or near materials(curtains, drapereis) that may block the ventilation slots.
 - Do not install the unit near heat sources such as radiators or air ducts or in a place subject to direct sunlight, excessive dust, mechanical vibration or shock.
- On Operating**
- Keep the unit and glass away from equipment with strong magnets, such as a microwave oven or large loudspeakers.- When the unit is not in use, turn off the power to conserve energy and to extend its useful life.
- On Cleaning**
- Clean the cabinet, glass and controls with a dirt soft cloth, or a soft cloth lightly moistened with mild detergent solution.
 - Do not use any type of solvent, such as alcohol or benzene, which might damage the finish.

If you have any questions about this unit, contact your Commax dealer.

Location And Function of Control

Front View

Rear View



- 1 CCD Camera Lens
- 2 Speaker
- 3 Microphone
- 4 Resident Calling Buttons
- 5 Camera Extension Connection Line
- 6 Resident Videophone Connection Connector
- 7 Release Connection Wire
- 8 Resident's Extension Connection Wire (For DRC-nAS)
- 9 Angular Adjust
- 10 Camera Extension Selection Switch (For camera extension switch off level)

How To Operation

Calling to desired residents on the common porch

- When a visitor press a button on the panel, the monitor will show the picture of the visitor who is calling.
- If you conversation with wishes, picking up the handset with the conversation may be started.
- Door camera entry system that 4 wires polarity
- Can expandable to 24 monitors (maximum) on install to DRC-nAS if wanted

When selecting the location for flush/attaching your unit, please remember...

- Allow adequate space on the both side of the unit for proper ventilation access to cable and unit for aural easy.
- For angular field of camera view and just by manually be sure there is sufficient space behind the unit to adjustment to angular field of view its position.
- The area directly below the unit should not be used for cooking radiator or by other appliances generating heat or steam.
Keep in mind your normal work pattern especially the use of other counter top electrical appliances.

Note On Use and Installation

Do Not Aim The unit At The Sun/Raining

Do not aim the unit at the sun or point it at the sun/raining even if you are not shooting.

Do Not Shoot Intense Light

Framing intense light such as a spotlight may cause bloom or smear. A vertical stripe may appear on the screen. However, this is not a malfunction.

Treat The Unit With Care

Do not drop the unit or subject it strong shock of vibration. Otherwise, the components may malfunction.

Never Touch Internal Parts

Do not touch the internal parts of the camera other than that parts specified. Otherwise, the camera may malfunction.

Do Not Slash Water On The Unit

Install the unit where the unit can be kept dry. If the unit a gets wet, turn off the power and contact you dealer.

Install The Unit Where No Audio Noise Sound

If cables are wired near electric lightning wires or a TV set, noise may appear in images. In this event, relocate cables or reinstall equipment.

Check The Ambient Temperature And Humidity

Avoid using the camera where the temperature is hotter or colder than specified. Otherwise, the quality of images may deteriorate or internal parts may be affected. Special care is required to use the camera at high temperature and humidity.

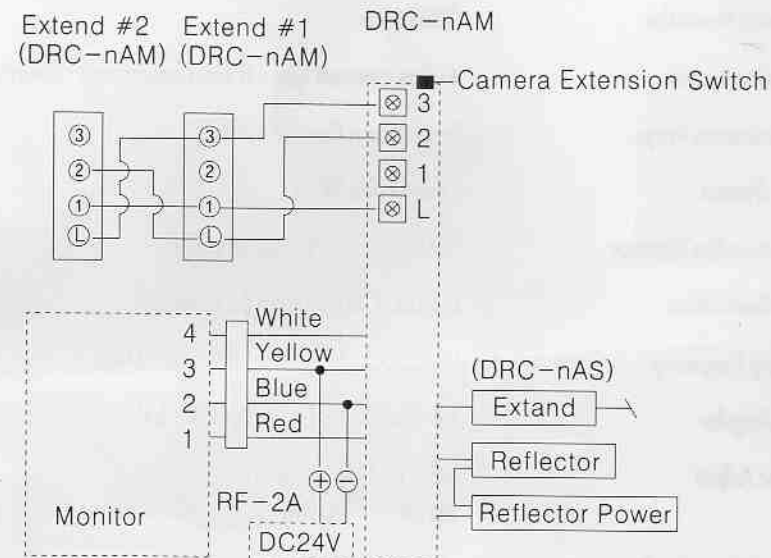
Should You Notice Any Trouble

If any trouble occurs while you are using the camera, turn off the power and contact your dealer. If you continue to use the camera when there is something wrong with it, the trouble may much worse and an unpredictable accident may occur.

1. For DC operation, operate the unit on 24V DC.
2. Make sure that checking to polarity before wire connection.
3. For camera extension, switch OFF level.

Notice : Do not make any wire connections to these terminals while the unit is connection with standard wires.

Attention : Make sure that check the DC 24V or other wires



How to adjust residents monitor DIP switch

1	2	3	4	5	6	7	8	DIP switch
								ON
								OFF

57 ~ 80 residents : DIP Switch #8 is ON level

33 ~ 56 residents : DIP Switch #7 is ON level

9~ 32 residents : DIP Switch #6 is ON level

- 1 to 5 DIP switch is selector to wanted residents

by 1, 2, 4, 8, 16 position

- If do not expandable to monitor, keep on DIP switch 6,7,8, is OFF level