

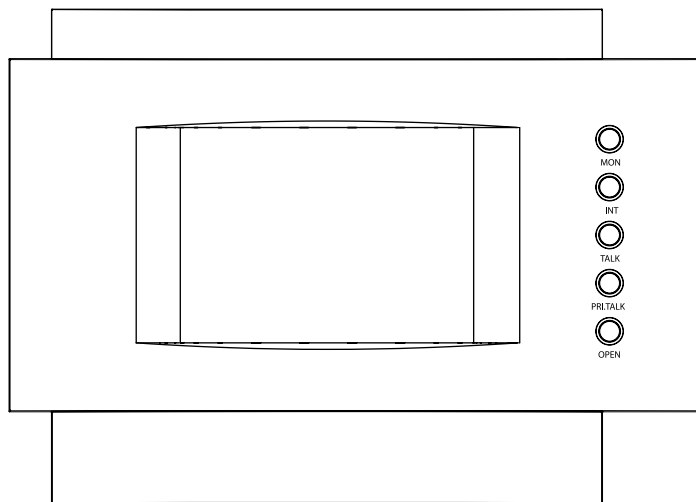


COMMAX[®]

Color Video Doorphone

Model No. CDV-50A

User's Guide



COMMAX Co.,Ltd.

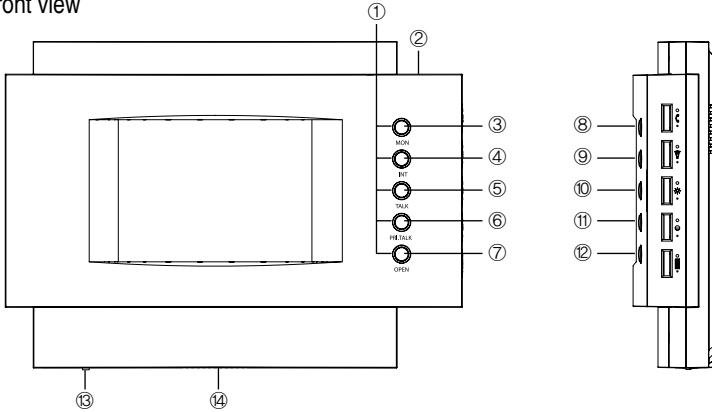
- Thank you for purchasing our COMMAX product.
- Please carefully read this User's Guide (in particular, precautions for safety) before using the product and follow the instructions to use your product exactly.
- The company is not responsible for any safety accidents caused in abnormal operation of the product.

Contents

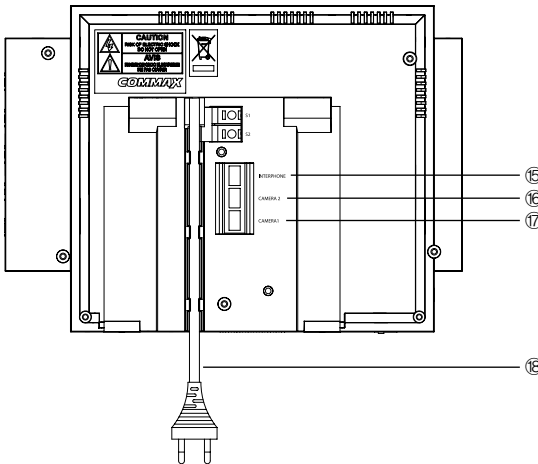
1. Location	3
- Front view	
- Rear view	
2. Product Usage	4
- Visitor Call	
- Talking to the Interphone	
- Monitoring	
3. Installation Method	5
- 1) Monitor Installation	
- 2) Standard Height of Monitor	
- 3) Wiring Diagram	
4. Part list	6
5. Specifications	7

1. Location

► Front view



► Rear view



①	L.E.D Indicator
②	C-Microphone
③	Monitoring Button
④	Interphone Button
⑤	Talk Button
⑥	Priority-talk Button

⑦	Release open Button
⑧	Volume adjust controller
⑨	Bell adjust controller
⑩	Brightness adjust controller
⑪	Cont adjust controller
⑫	Color adjust controller

⑬	Power OFF/ON
⑭	Speaker
⑮	Interphone connection socket
⑯	Cam2 connection socket
⑰	Cam1 connection socket
⑱	AC power cord

2. Product Usage

• Visitor Call

1. When a visitor presses the “Call” button on the door camera installed at the entrance, the monitor rings a chime bell and shows the visitor. At this time, the monitor LED will blink.
2. When the visitor is shown, press the “Talk” button to have a conversation.
3. When finished with the conversation, press the “Talk” button again to cancel the screen and to end the operation.
4. While in talking with the visitor, press the “Open” button to open the door.

• Talking to the Interphone

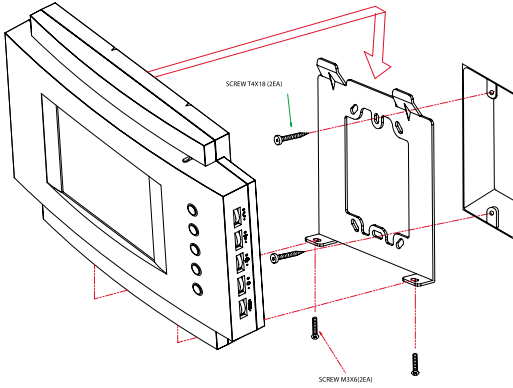
1. First press the “Talk” button on the monitor and then press the interphone call button “INT”.
2. The signal will be sounded and the interphone LED will blink. When responding to the interphone, it can be made accordingly.
3. When you have a call from the camera at the time that the monitor and interphone are busy, the monitor LED will blink and a 3-way talk among monitor, interphone and camera is made possible for 90 seconds.

• Monitoring

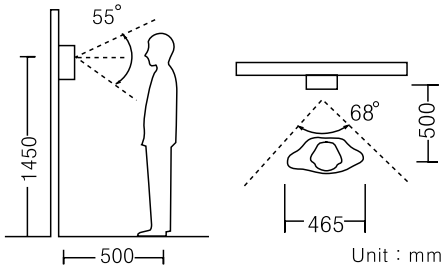
1. When the camera is connected to the monitor, press the monitor button “MON” and you can check the camera video anytime you want.
2. A maximum of 2 cameras can be connected and the screen is switched to the camera-1, camera-2, and standby mode by pressing the button.
3. When turning on the power, the monitor LED will blink in RED for 2 seconds while going through the preparation process. Please don't turn off the power since it is not an error. When completed with the preparation process, the LED turns to GREEN and the system is switched to the standby mode.

3. Installation Method

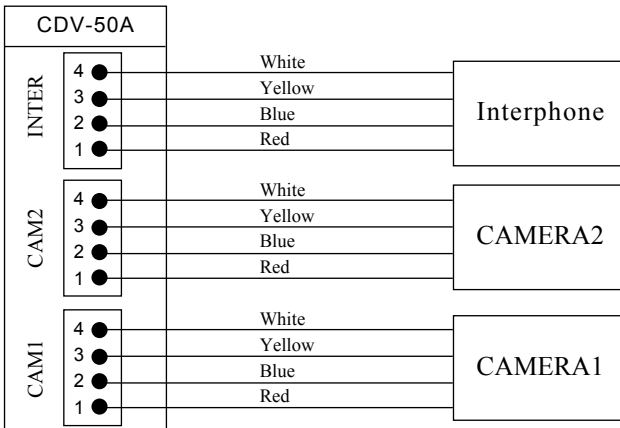
1) Monitor Installation



2) Standard Height of Monitor

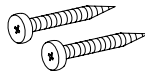
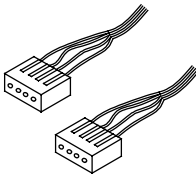
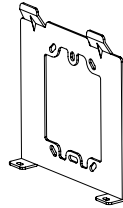
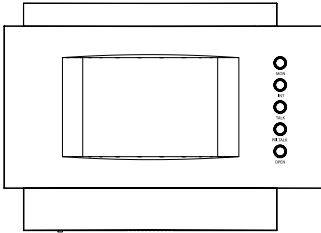


3) Wiring Diagram



4. Part list

Monitor	1 unit
Bracket for monitor	1 unit
Connect connector	2 unit
Fixed screw for bracket	2 unit
Fixed screw for monitor bracket	2 unit
Manual	1 unit



5. Specifications

Power Source	AC 100-240V, 50/60Hz 23VA	
Picture Tube	5" Color TFT-LCD	
Power Consumption	Stand by	3Watts
	Operating	13Watts
Transmitted Method	Door : 4 wires (Polarity)	
Calling Sound	Commax Chime	
Video Receiving Time	90 ± 20 seconds	
Communication Distance	For 0.65mm cable 50m	
Operating Temperature	-10°C ~ +40°C	
Operating Humidity	Less than 90%	
Dimensions (W/H/D) mm	245 X 175 X 45.6 mm	
Weight (kg)	1.2kg	

Home Automation
COMMAX®

COMMAX Co.,Ltd.

a513-11, Sangdaewon-dong, Jungwon-gu,

Seongnam-si, Gyeonggi-do, Korea

Int'l Business Dept. :

Tel.; +82-31-7393-540~550

Fax.; +82-31-745-2133

Web site : www.commax.com

Printed In Korea