

## BURGLAR ALARM FUNCTION.

- A. This burglar alarm function works only in the monitors APV-4CSE or APV-4CSD.
- B. Press the burglar button, and the alarm will sound if a magnetic switch is opened.
- C. Press the burglar button again to turn it off.

NOTE : In the case that a communication line is opened in the DRC-240 System, monitoring is not available.

## TROUBLE SHOOTING GUIDE

Carefully read and perform the following procedures before returning your Video Doorphone for repairs or replacement.

- If the Power Lamp fails to light, check that the Power On/Off Switch is in the On position. Also, make sure that the plug is properly inserted in the AC outlet.
- If the Power Lamp is dim, there is a short in the wires between the monitor and camera.
- There may be a wave of the picture for 0.5 seconds when screen comes up.
- If you see snow on the Monitor CRT, the wires between the monitor and camera are disconnected.
- If there is audio, but no picture on the Monitor CRT, the brightness control is incorrectly adjusted.
- If you can call and communicate, but there is no audio signal, the camera is defective.

## SPECIFICATIONS.

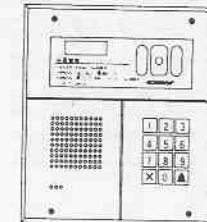
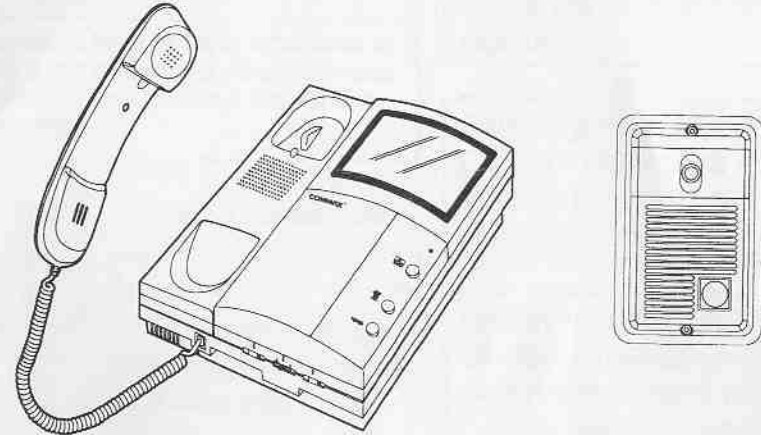
Model No.	APV-4CME/4CSE/4CME/2	APV-4CMD/4CSD
CRT Screen	4" Flat B & W	
Power Source	90V-240VAC	24VDC
Intercom System	Duplex with handset for conversation	
Power Consumption	Stand by 1W Operating by 14W	
Transmission	4 wires in polarity	
Screen Time	20 Seconds $\pm$ 5	
Working Temperature	-10 $^{\circ}$ C to 40 $^{\circ}$ C	
Dimension	196(W) $\times$ 232(H) $\times$ 68(D)	195(W) $\times$ 228(H) $\times$ 68(D)

# MULTI DIGITAL VIDEO DOORPHONE SYSTEM MONITOR

## MODEL NOs.

Monitor APV-4CME, 4CME/2  
-4CMD, 4CMD/2  
-4CSE  
-4CSD

**COMMAX**<sup>®</sup>

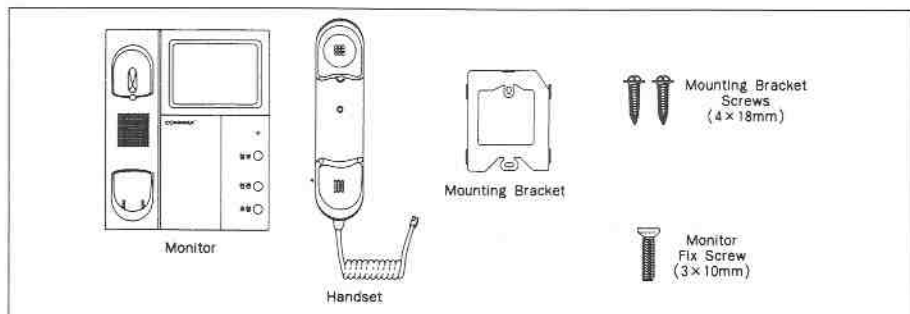


**COMMAX Co.,Ltd.**

## PARTS CHECKLIST

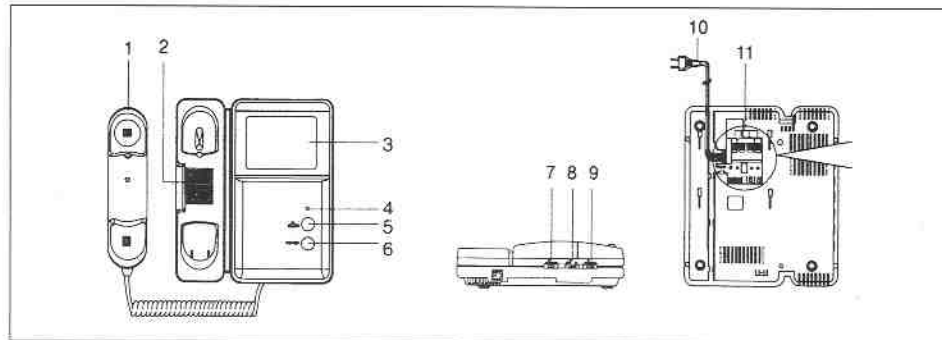
Model No : APV-4CSD/4CSE

■ Monitor .....	1	■ Magnetic Switches .....	1
■ Handset .....	1	■ Mounting Bracket Screws .....	2
■ Mounting Bracket .....	1	■ Monitor Fix Screws .....	2
		■ Installation Manual .....	1



## FEATURES

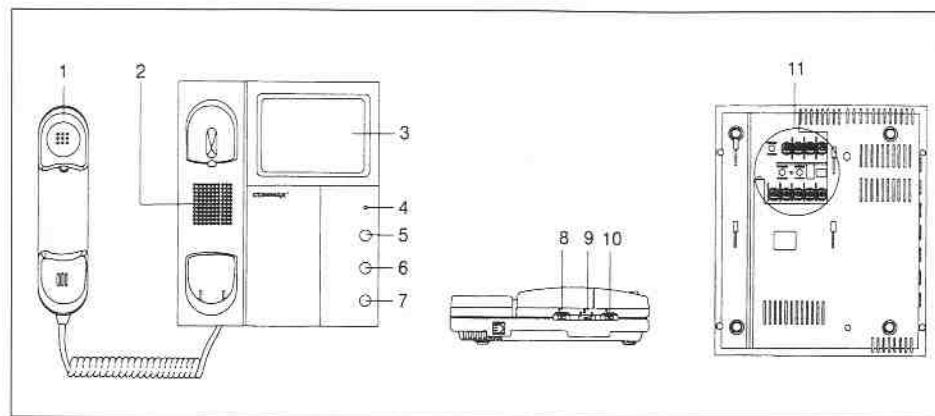
APV-4CMD/4CME



- 1. Handset**  
Lift up to communicate with your visitors.
- 2. Speaker**  
Sounds a chime when a visitor pushes the call button on the Camera.
- 3. Monitor Screen**  
4" flat type B/W C.R.T.
- 4. Power Lamp**  
Indicates if the system is on or off.
- 5. Monitor Button**  
Press this button to activate the camera and view the picture on the monitor screen.
- 6. Door Release Button**  
Opens the door to let your visitors in after viewing them.
- 7. Call Sound Volume**  
Adjusts the call sound volume.
- 8. Power Switch**  
Activates and deactivates the Video doorphone.
- 9. Brightness Control**  
Adjusts the picture brightness.
- 10. AC Power Cord**  
Plugs the Monitor into the AC outlet.  
(\* APV-4CME)
- 11. Terminal**

## FEATURES

APV-4CSD/4CSE



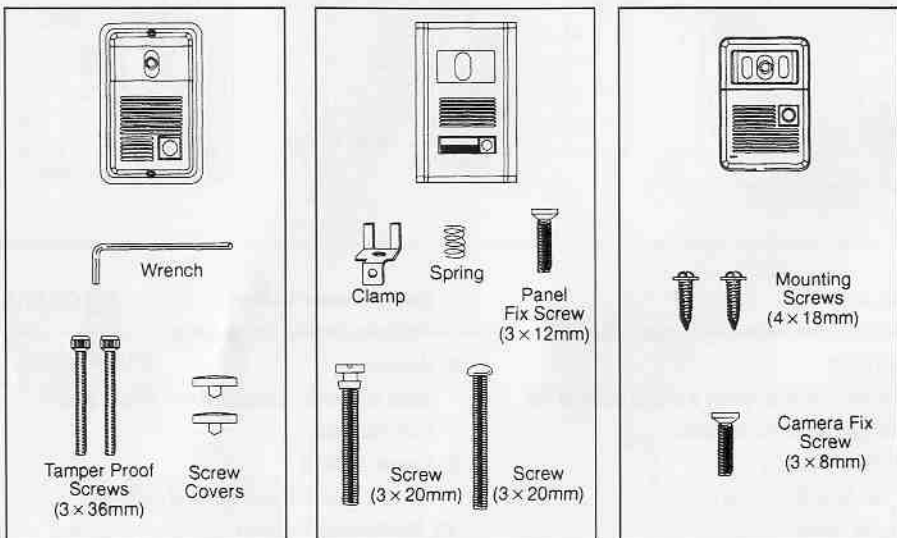
- 1. Handset**  
Lift to communicate with your visitors.
- 2. Speaker**  
Sounds a chime when a visitor pushes the call button on the camera.
- 3. Monitor Screen**  
4" flat type B/W C.R.T.
- 4. Power Lamp**  
Lights when system is on.
- 5. Monitor Button**  
Press to activate the Camera and view a visitor on the Monitor Screen.
- 6. Guard-Call Button**  
Press to set guard-call mode.
- 7. Door Release Button**  
Press to allow visitor to enter.
- 8. Volume**  
Slide control to adjust volume of call sound from Camera.
- 9. Power Switch**  
Powers Video Door Phone on and off.
- 10. Brightness Control**  
Slide control to adjust picture brightness from Camera.
- 11. Terminal A**  
Connects wires from the monitor, camera, power supply, door opener, magnetic switch and audio handset.

## INDIVIDUAL CAMERAS (OPTIONAL)

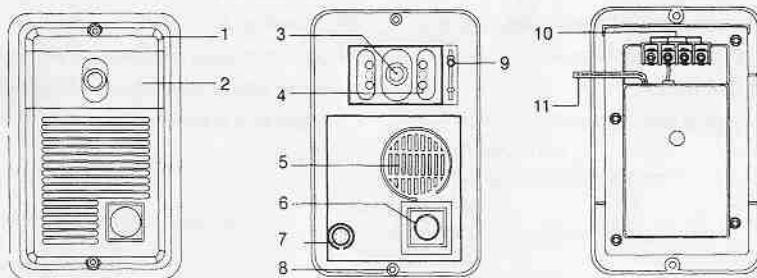
You may use individual cameras for your safety and convenience.

### PARTS CHECKLIST

Flush type DRC-403F      Flush type DRC-403A      Surface type DRC-403



### FEATURES



1. Front housing
2. Camera window
3. CCD Camera lens.
4. IRIS provides a clear picture in any light condition even in complete darkness.
5. Speaker
6. Call button
7. Microphone
8. Special Screw
9. Camera angle lever
10. Monitor connector
11. Door releaser connecting wire

## BASIC INSTALLATION INSTRUCTIONS

### NOTE

It is highly recommended that you read these instructions completely prior to installation or use.

### Wiring Requirements:

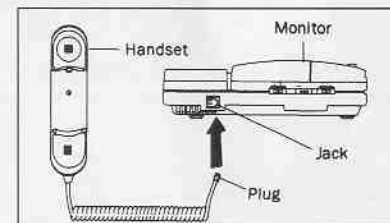
Wiring is not supplied with this system. Use only the wires that are mentioned on page 2. Follow the appropriate wiring diagrams exactly for optimal system performance and safety.

When planning the initial DRC-240 and APV system wiring installation, consider future system expansion. The total wire length must not exceed 500M of total wiring for optimum performance. (Refer to the wiring diagrams on pages 8, 9.)

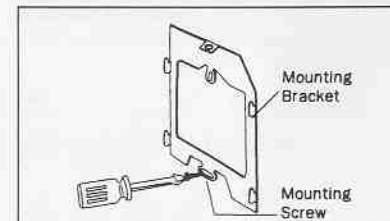
### MONITOR INSTALLATION

**WARNING :** This installation should be made only by a qualified service technician and should conform to all local building codes.

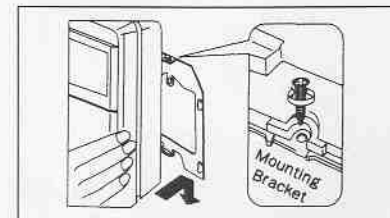
A. Connect the routed wires from the camera unit to the monitor wiring terminal exactly as shown in the wiring diagrams on pages 8, 9.



B. Connect the handset cord to the monitor unit.

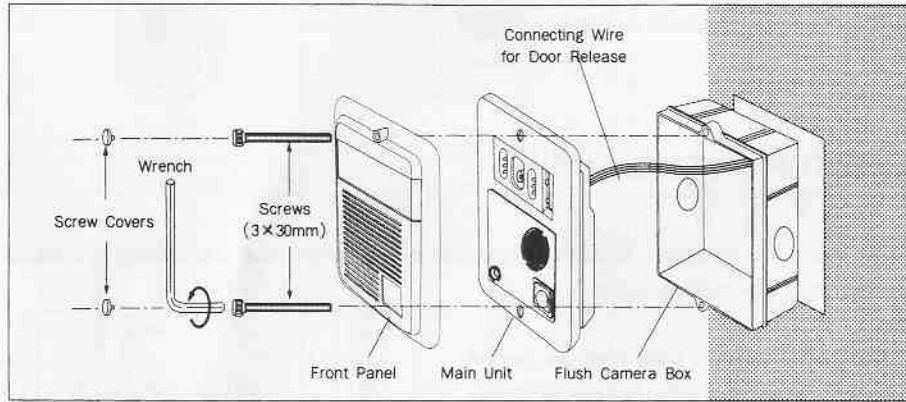


C. Attach the wired monitor unit to the wall mounting bracket by setting the monitor over the four bracket hooks and sliding it down about a 1/4". Insert the tiny machine screw into the hole in the tab at the top of the bracket to hold the monitor in place.



## HOUSE CAMERA INSTALLATION (OPTIONAL)

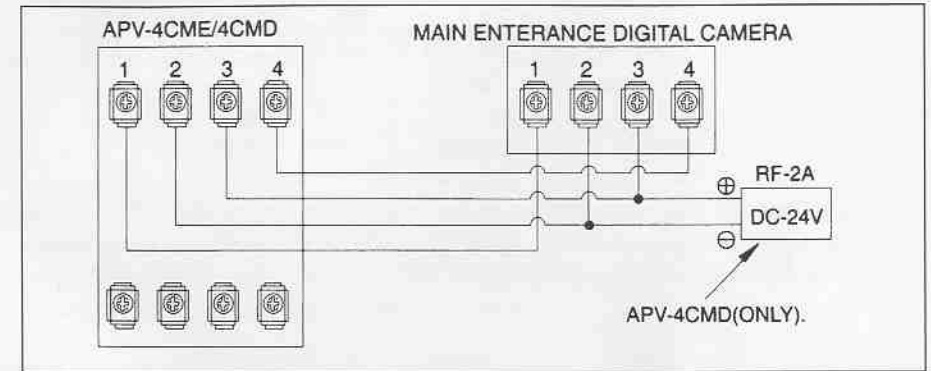
- Cut a hole in the wall large enough to allow placement of the recessed Camera Box.
- Remove the front panel and main unit from the Camera Box.
- Place the Camera Box flush with the wall. Secure to wall with wood screws (not included).
- Run video cable from the Camera to the planned Monitor location.
- Connect video cable to the 4 screw terminals located in the back of the camera.
- To adjust the Camera Lens angle, move the positioner up for a higher angle, or down for a lower angle.
- Place the main unit in the box, replace the front panel, and secure with two tamper-proof screws(included). Tighten screw covers(included) with the supplied wrench.



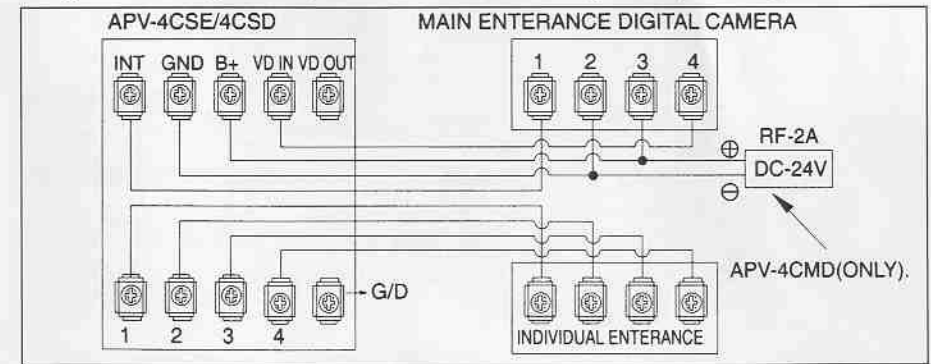
## WIRING

### BASIC :

Digital camera/Single monitor, APV-4CME or 4CMD System.

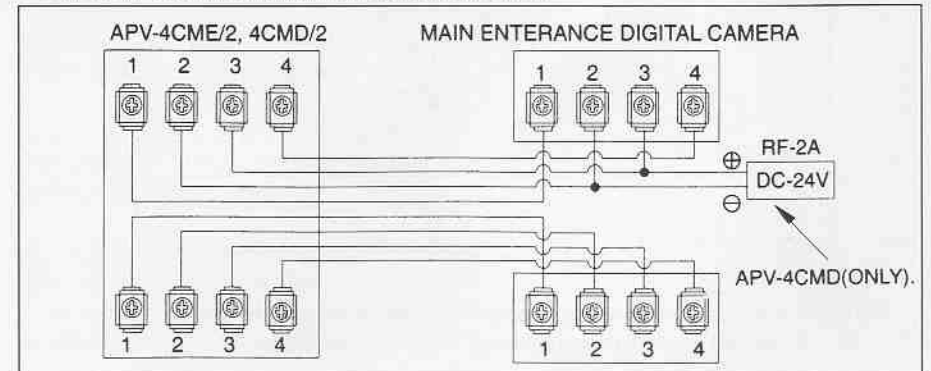


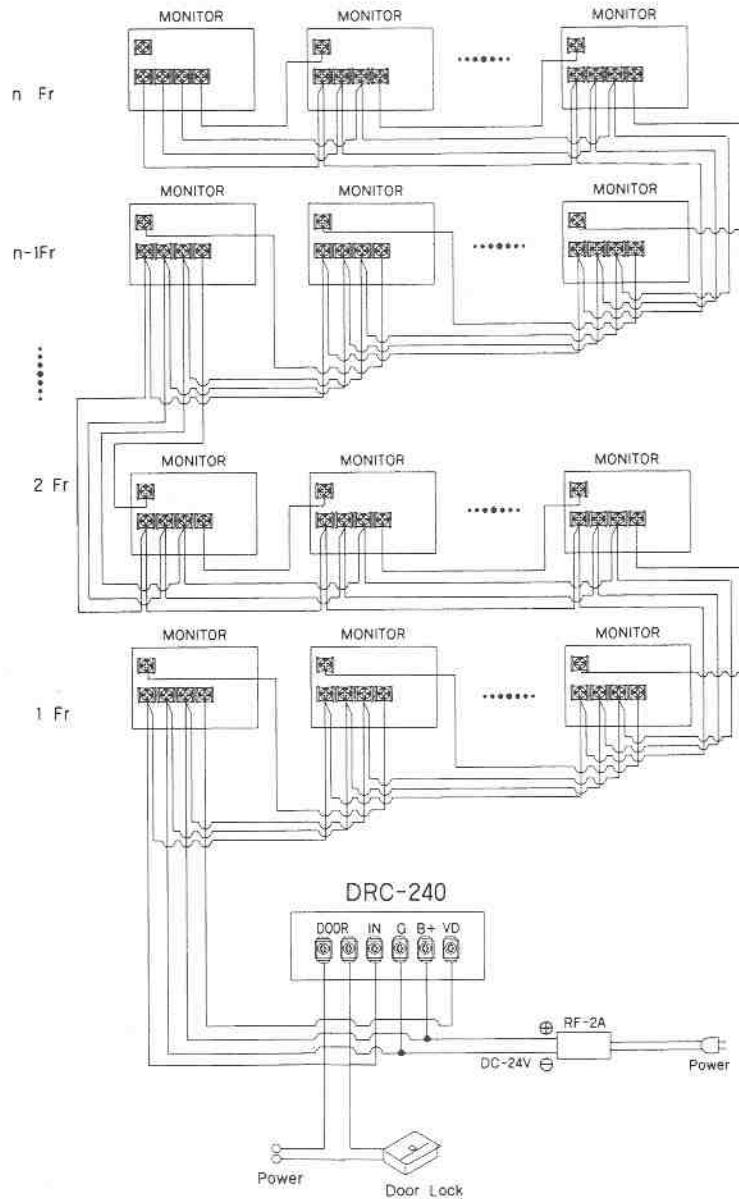
Digital camera/Single monitor, APV-4CSE or 4CSD with burglar alarm, MS-10 System.



### OPTIONAL :

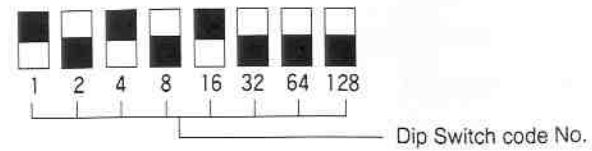
Digital camera/Single monitor/individual camera system





NOTE: 1. Common 4 wiring is required from DRC-240 to house video monitor.  
 2. VD Line should be wired by INPUT & OUTPUT separately.

### How to set a DIP switch



In the above figure, the monitor numbers are set up by dip switches. You can assign the sub number to the monitor from 1 to 240 by dip switch, and then assign the house number to the monitor by using the program function of DRC-240, the main entrance digital camera. For programming, refer to page 4 on DRC-240 manual.

Note : House calling should be done by the house number and not done by the given monitor number. Please do not change the DIP switch number of the monitor after setting up. (If DIP Switch number is changed, verify its house number in DRC-240 and rearrange.)

## OPERATION

### VIDEO DOORPHONE FUNCTION

A. On the monitor, switch the Power switch to ON position. Make sure Power Lamp is lit.

B. Set the Volume and Brightness controls found on bottom.

C. When a visitor presses the Call Button on the camera, you will hear a chime tone, and the visitor will appear on the monitor.

D. Pick up the Handset to speak to the visitor. He/She can speak to you through the microphone on the Camera.

F. You can see the Camera's field of view for 20 seconds at any time, by pressing the Door Button. This allows you to monitor in silence as long as you do not pickup the handset.

