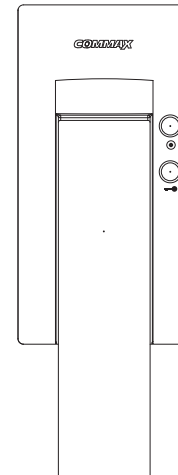




Doorphone

Model No. AP-5HM



COMMAX Co.,Ltd.

a513-11, Sangdaewon-dong, Jungwon-gu, Seongnam-si, Gyeonggi-do, Korea
Int'l Business Dept. : Tel.; +82-31-7393-540~550 Fax.; +82-31-745-2133
Web site : www.commax.com

Printed In Korea/2007.10

COMMAX Co.,Ltd.

- Thank you for purchasing our COMMAX product.
- Please carefully read this User's Guide (in particular, precautions for safety) before using the product and follow the instructions to use your product exactly.
- The company is not responsible for any safety accidents caused in abnormal operation of the product.



Table of Contents

Features & Specifications	2
Part Names & Functions	3
Multi Entry Panel Calling	4
Sub unit calling (Intercommunication)	4
Call / Talk duration	4
Setting In-House unit as a Master and Sub Unite	5
Chime sound	6
Changing and initialization of the password	6
Opening the entrance of a Multi-entry Panel With Password	7
Wiring	8
System Diagram	10



1. Features & Specifications

This is an Audio DC type in-house unit.

It can add up to a maximum of 2 sub units in each residence and is a surface mount type with functions of releasing a door and intercommunicating.

1) Features

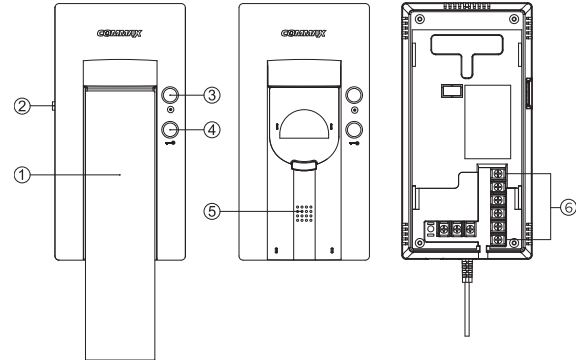
- ① DC type
- ② The power is supplied from the floor distributor without additional power supply.
- ③ 2 buttons : the “Door release” and “Extension call”
- ④ COMMAX chime(sol, Mi, Do) is the ringtone from the Multi Entry Panel And there is a doorbell Ding-Dong sound from a individual door.
- ⑤ Door release
- ⑥ 5 wires UTP Cable (CAT.5) including power source.

2) Specifications

ITEM	AP-5HM
Wiring	To Floor distributor: 5 wires (talk 2, data 1, power source 1, GND 1)
Power Voltage	DC 24V~ 28V/ 5A (a power supplied from floor distributor)
Transmission Method	Simultaneous phone conversation
Power Requirements	Standby: 30 mA Maximum operation: 70 mA
Distance range	Between Floor Distributor to In-house unit UTP (ø 0.5) 50m



2. Part Names & Functions



No.	Details	No.	Details
1	Handset	4	Door release button
2	Ring tone control	5	Speaker
3	Extension button	6	Connection outlet (9P)

* Ring tone control : this is to adjust the volume of the ring tone or melody from the Multi Entry Panel.

This is Audio and wall mount type in-house unit.
Up to 4 residences are connectable with a single Floor distributor through a Building Distributor connected with the Multi Entry Panel. Each residence can add 2 sub-units, which comes to 3 units in total including the master unit.

3. Multi Entry Panel Calling

- ① When calling from the Multi-Entry Panel, you will hear the COMMAX chime.
- ② Pick up the handset to initiate conversation.
- ③ When opening the door of the Multi Entry Panel during a conversation, press the "Door" button and the entrance will open.
(The call conversation is ended right after the release of the door)
- ④ When conversation is over, hang up the handset.

4. Sub unit calling (Intercommunication)

- ① Pick up the handset and, press the "Extension call button" , to call to the sub unit.
- ② When the sub unit responds, conversation occurs.
(calling both the Extension and Master unit is possible)
* when calling to guard station with another unit or while talking with other extension, another in-house unit can not make a call.
- ③ while talking with another extension unit and an incoming call from the Multi-Entry panel arrives,
- ④ If this time, you have 30seconds to answer the call from the Multi-Entry panel by pressing the hook switch once on the extension unit(only one extension unit can have a conversation with Multi-Entry panel at a time)

5. Call / Talk duration


This is applied to all calls and conversation.

- ① Calling time lasts for 30 second.
- ② Talking duration lasts for 60 second.

6. Setting In-House unit as a Master and Sub Unite

- This setting should be set by Muliti entry panel which should be connected to chanel 1
- when a single unit is installed, the setting should be set as a master unit. in case more than 2 unit are installed one should be set as the master, and the rest should be set as slave unit
- The "Door Release" and "Extension" button on the unit run as a selection to master or slave in this mode

1) Setting Master

- ① Set the ID as " 0 "on Multi-Entry panel which shold be connected to chanel 1
* The default of all Multi Entry Panels is assigned to " 0 ".
- ② While picking up the handset of an in-house unit, press the " Extension call " button and the " Door release " button at the same time.
- ③ You can communicate with the Multi Entry Panel while the resident's number is displayed on it.
- ④ When the " *** -> M " message is displayed on the Multi Entry Panel when you press the " Door Open " button on an in-house unit.
- ⑤ Then, register the ID of the shown residence, and press "  " button to hear a sound of completion.
- ⑥ The registration is complete when you hang up the handset.
(Repeat this process for other residentes)
- ⑦ Set the ID' as "1" on the Multi-Entry panel after completing the registration

2) Setting the Sub-Unit

- ① Set the ID as " 0 "on Multi-Entry panel which should be connected to channel 1
 - The default of all Multi Entry Panels is assigned to " 0 "
- ② While picking up the handset of an in-house unit, press " Extension call " button and the " Door open "button at the same time.
- ③ You can communicate with Multi Entry Panel while the resident's number displayed on it.
- ④ When the "**** -> S" message is displayed on the Multi Entry Panel when you press the " Extension call "button on the in-house unit.
- ⑤ Then, register the ID of the said residence, and press "🔔"button to hear a sound of completion. The registration is complete when you hang up the handset
- ⑥ The registration is complete when you hang up the handset. (Repeat this process for other residentes)
- ⑦ Set the ID' as "1" on the Multi-Entry panel after completing the registration

7. Chime sound

Chime will sound when calling an individual door bell with audio type .

8. Changing and initialization of the password

Note) The doors do not open by default password " 1234 ".

Only after changing default password, can you use this function

1) Initialization of password for in-house unit.

- ① Before turning off AP-5HM, it is necessary to separate it from its wall mounting, to then detach the wired power cable. (from 4th connectors)
- ② While holding the "Door release" and "Extension call" button at same time, reconnect the power cable(to 4th connector) and keep this situation for 3 seconds.
- ③ After Finishing the wiring work, mount the back of AP-5HM on the wall. (The default set password is "1,2,3,4").

2) Changing Resident Password (From Multi Entry Panel)

- ① Hold " Residence Number " and " 🔑🔊 " button for 2 seconds and release when LCD stops blinking.
- ② Enter " Current password ".
- ③ Hold " 🔑🔊 " button for 2 seconds and release when LCD stops blinking.
- ④ Enter " New Password "with 4 digits on Multi Entry Panel displaying "NEW PW : " message.
- ⑤ Hold " 🔑🔊 " button for 2 seconds and release when LCD stops blinking.
- ⑥ Repeat " New password " to confirm it.
- ⑦ Hold " 🔑🔊 " button for 2 seconds and release when LCD stops blinking.

9. Opening the entrance of a Multi-entry Panel With Password

1) Open the entrance with resident password.

Note : The doors do not open by default password "1234"

Only after changing default password, can you use this function.

- ① Press resident number and "☞Ⓜ" button
- ② Press PIN number and "☞Ⓜ" button

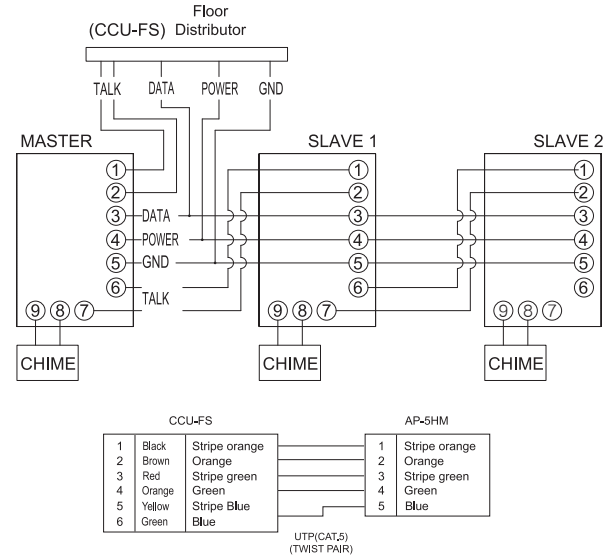
The door opens with the "OPEN" message display on the LCD screen.

2) Open the entrance with Building password.

- ① Enter "9900" and "☞Ⓜ" button
- ② Enter the Building Password and the "☞Ⓜ" button

The door opens with the "OPEN" message display on the LCD screen.

10. Wiring



2)Wiring

- ① Please pay attention to the polarity of the wires, Units will not work properly when mis-wiring

* Use UTP (CAT.5) cable and be careful to match the color of the wires shown to the left

- ② The power of Master unit supplied from Floor distributor without additional power supply.



11. System Diagram



Memo

